

000181

EARLY STAGE OF DEVELOPMENT

Itriding technology, Sealing ring inside(Made in Japan).
With rotary relief valve, Prevent oil accumulation, Increase the service life of the motor.

FULL DEVELOPMENT

All in one time-forging forming cylinder (Life span 2-3 years), Very strong, Large diameter.
Compared Ordinary cylinder Easy to break, life span of half a year.

INITIAL STAGE OF FACTORY ESTABLISHMENT

We have pilot multiple valve, half pilot multiple valve, and Joystick control.
Pilot determines the smooth high and low of mechanical operation.

GROUP COMPANY ESTABLISHED

We used nine-tooth spline gear pump, Technology precision and Very hardness.
You can see this one model, only four-tooth not strong, and Easy to get out of tooth.

COOPERAT WITH BRAND MANUFACTURER -CKOPS

Plating technology, Dense iron beads, Echoes are crisp, not Easy to rust.
For gears, we used three-layer quenching technology, Not easy to be worn.

2006

2012

24HOURS

Complete after-sales service system: 24-hour online customer service to solve quality problems at any time

2014

SEND ACCESSORIES

Dealers buy excavators and get accessories

2016

OEM

Support customization, create personalized service, make your excavator unique

2019

2021

RAPID DEVELOPMENT

Sensitive to changes, Provides pressure and flow automatically according to actual load changes.



R308 - 0.8T



R319 - 1T



R309 - 1.2T



R325 - 1.5T



R330 - 2T



R350 - 3T



R360 - 6T

LOOKING FOR DEALERS AROUND THE WORLD

COMPANY PROFILE

Shandong Rippa Machinery Group Co., Ltd. was established in 2006, is a national high-tech enterprise, with proprietary import and export rights; After 16 years of vigorous development, the formation of the whole industrial chain pattern including R & D, production, manufacturing, operation and sales.

The plant covers an area of 100000 square meters. It has 11 subsidiaries, each of which has independent accounting. There are 329 employees, including 50 professional engineering and technical personnel, 8 senior engineers and 30 senior technicians. The company has ISO: 9001 quality management system certification, CE EU quality certification, Euro 5 emission certification, EPA emission certification and Australian cab rollover certificate;



The company's products sell well in domestic and overseas markets. It has set up service outlets in many provinces and regions in China to provide door-to-door after-sales service. It actively develops overseas markets through the mode of distribution agency abroad. Its products are exported to Southeast Asia, America, Europe and the Middle East. The R & D team has specially developed and produced a number of new models for the United States, Canada and European markets, and has obtained a number of design patents. The unique advantages of other e-commerce companies are also one of the reasons why lipai group can lead the micro mining industry. The company's staff are vigorous and enterprising, and constantly create the legend and glory of the Rippa!

CERTIFICATE



COMPANY CULTURE

Vision:

Inspirito build the first brand of construction machinery

Mission:

Make your dreams and change the world

Sense of worth:

Customer-based, innovation for the soul;

Team, adult success; Honesty, passion

Core values:

Customer-oriented, Take innovation as your soul

PRODUCTION LINE



◆ Harness workshop



◆ Kawasaki welding robot



◆ Accessory placement area



◆ Shot blasting machine



◆ Spray workshop



◆ production assembly

OUR TEAM



◆ Design and R&D



◆ Canton Fair



◆ Partner



◆ Excellent sales team



◆ Hundred Regiments



◆ Partner

MINI EXCAVATOR

BUY NOW



**R319
MINI
EXCAVATOR**



**R325
MINI
EXCAVATOR**



**R328
MINI
EXCAVATOR**



**L330
MINI
EXCAVATOR**



**R330
MINI
EXCAVATOR**



**L335W
MINI
EXCAVATOR**

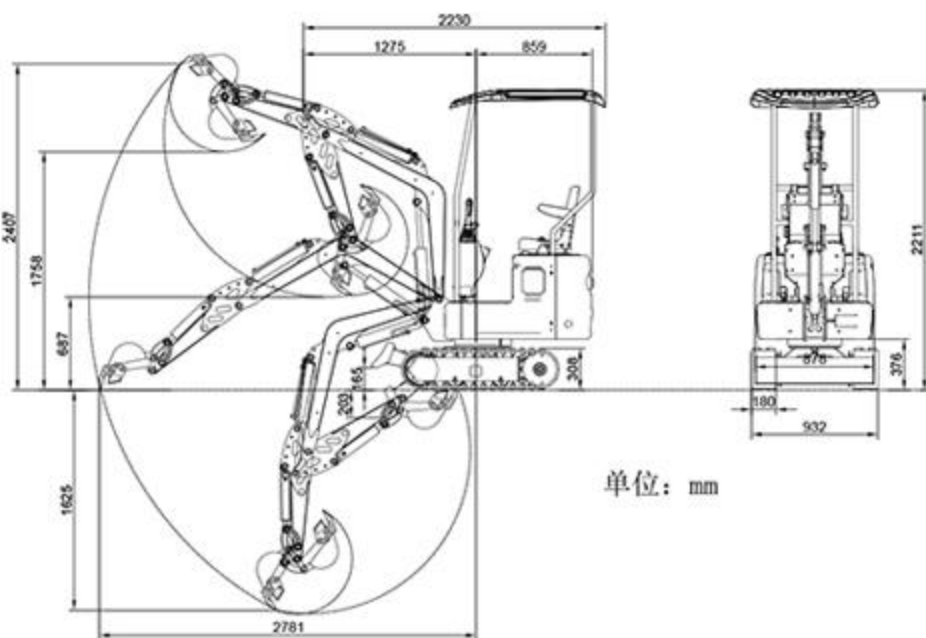


**R340
MINI
EXCAVATOR**



**R350
MINI
EXCAVATOR**

R319 MINI EXCAVATOR



- ◆ Small and flexible, easy for small terrain, narrow space operation;
- ◆ The use of mold stamping molding of the streamlined cover, beautiful appearance;
- ◆ Structural parts use stainless steel or plastic injection treatment, to extend the service life;
- ◆ 360 degrees rotation, easy to learn, flexible operation, easy to master;
- ◆ Engineering rubber tracks, V-shaped design, smooth walking.

①



Kubota

Changchai

R319 pro is equipped with big brand Kubota engine, optional Changchai, Yanmar engine, strong power, easier work.

②



Hydraulic cylinder

One-piece forging, not easy to break

③



Tubing

Using German Continental tubing, durable

④



Walking motor

American Eaton motor, with a sealing ring inside

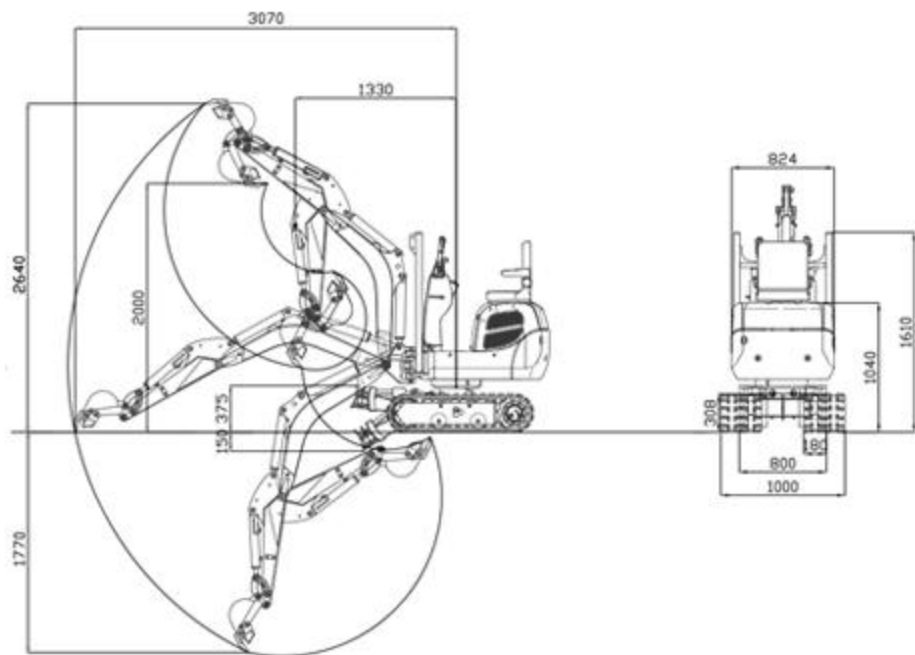
Product parameters

Total Weight	1000kg
Total length	2780mm
Total width	930mm
Total height	2220mm
Maximum digging radius	2800mm
Maximum excavation depth	1500mm
Maximum excavation height	2480mm

Maximum unloading height	1910mm
Minimum ground clearance	385mm
Engine brand	Changchai
Engine model	192F
Output Power	8.2kw
Walking speed	0-1.44km/h
Climbing angle	30%



R309 MINI EXCAVATOR



①



Kubota



Koop

Kubota and Koop engines are available for assembly

②



Operating rod
Hydraulic pilot operation

③



Hydraulic cylinder
One-piece forging,
not easy to break

④



Retractable track
Convenient for narrow
space operation

Product parameters

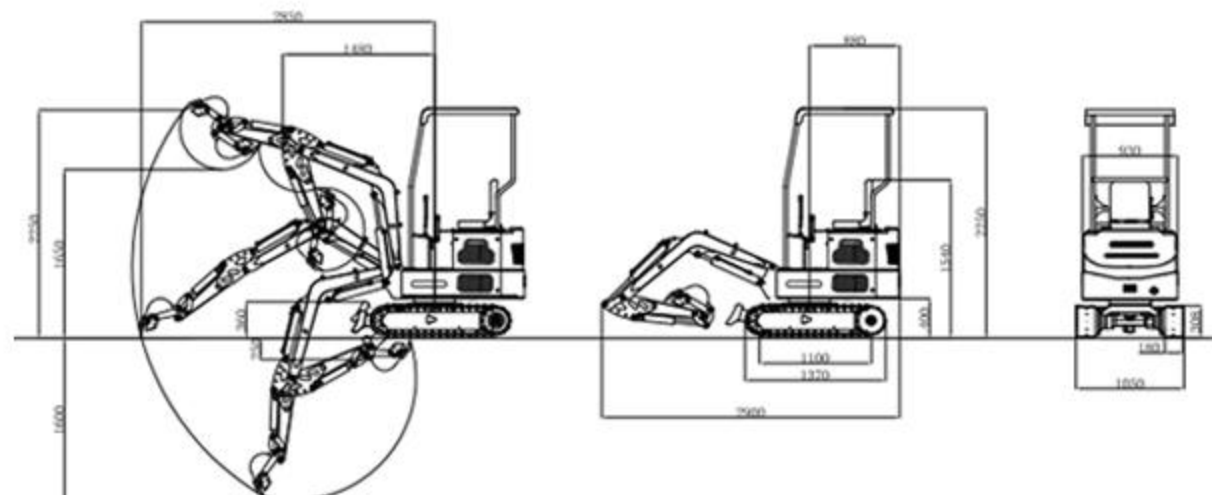


Total Weight	1200kg
Total length	2780mm
Total width	1000mm
Total height	2300mm
Maximum digging radius	3100mm
Maximum excavation depth	1600mm
Maximum excavation height	2650mm

Maximum unloading height	1930mm
Minimum ground clearance	246mm
Engine brand	Kubota/Koop
Engine model	D902/192F
Output Power	11.8kw/8.2kw
Walking speed	0-1.8km/h
Climbing angle	30%



R325 MINI EXCAVATOR



①



Engines:
Kubota, Yanmar and Changchai are available for assembly

②



Electronic display screen
Clear data display, easy to work

③



Hydraulic cylinder
One-piece forging, not easy to break

④



Rotate support
Using internal teeth, dense and not easy to wear



Product parameters

Total Weight	1500kg
Total length	2900mm
Total width	1100mm
Total height	2250mm
Maximum digging radius	2850mm
Maximum excavation depth	1700mm
Maximum excavation height	2510mm

Maximum unloading height	1970mm
Minimum ground clearance	393mm
Engine brand	Changchai/Yanmar/Kubota
Engine model	EV80/370/D902
Output Power	12kw/10kw/11.8kw
Walking speed	0-1.5km/h
Climbing angle	30%



R325 MINI EXCAVATOR

- ◆ Double pump special supply, to achieve the real composite action, double pump flow to achieve high and low speed function, the national three emission standards;
- ◆ Water cooling, hydraulic oil cooling double heat dissipation;
- ◆ Structural parts use stainless steel or plastic injection treatment, to extend the service life;
- ◆ A streamlined shield with die stamping;
- ◆ Use pilot handle with load sensitive multiplex valve for smooth operation.

①



Engines:
Kubota, Yanmar and Changchai are available for assembly

②



Pilot handle
Smoother operation

③



Hydraulic cylinder
One-piece forging, not easy to break

④



Walking motor
American Eaton motor, with a sealing ring inside



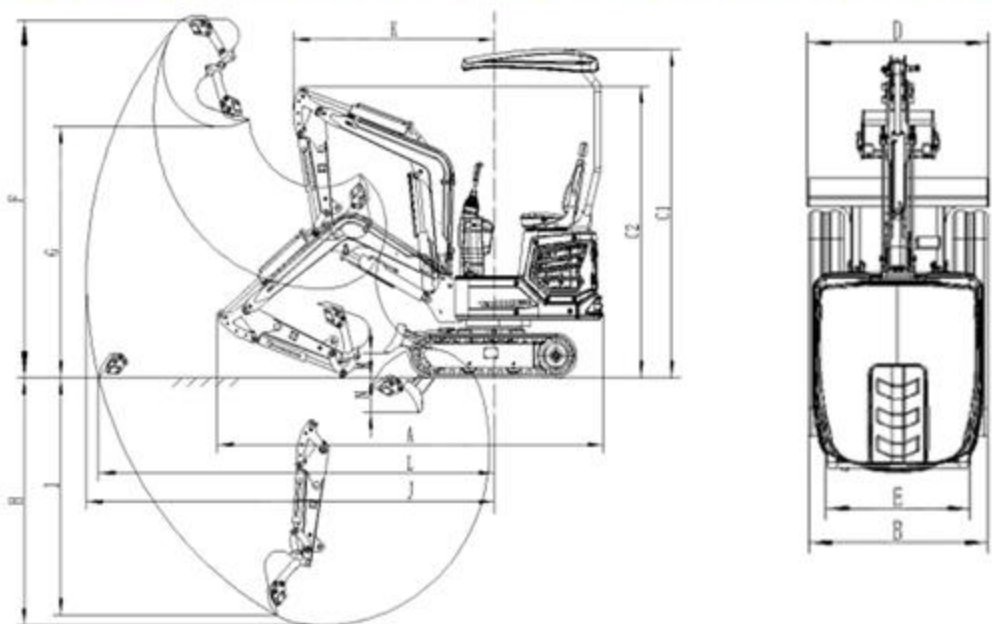
Product parameters

Total Weight	1500kg
Total length	2900mm
Total width	1100mm
Total height	2250mm
Maximum digging radius	2850mm
Maximum excavation depth	1700mm
Maximum excavation height	2510mm

Maximum unloading height	1970mm
Minimum ground clearance	393mm
Engine brand	Changchai/Yanmar/Kubota
Engine model	EV80/370/D902
Output Power	12kw/10kw/11.8kw
Walking speed	0-1.5km/h
Climbing angle	30%



L328 MINI EXCAVATOR



①



Engines:

Using Kubota engine, low noise, low vibration of environmental protection design

②



Stop valve

Can be equipped with auxiliary tools, to prevent oil leakage

③



Electronic display screen

Clear data display, easy to work

④



Walking motor

American Eaton motor, with a sealing ring inside



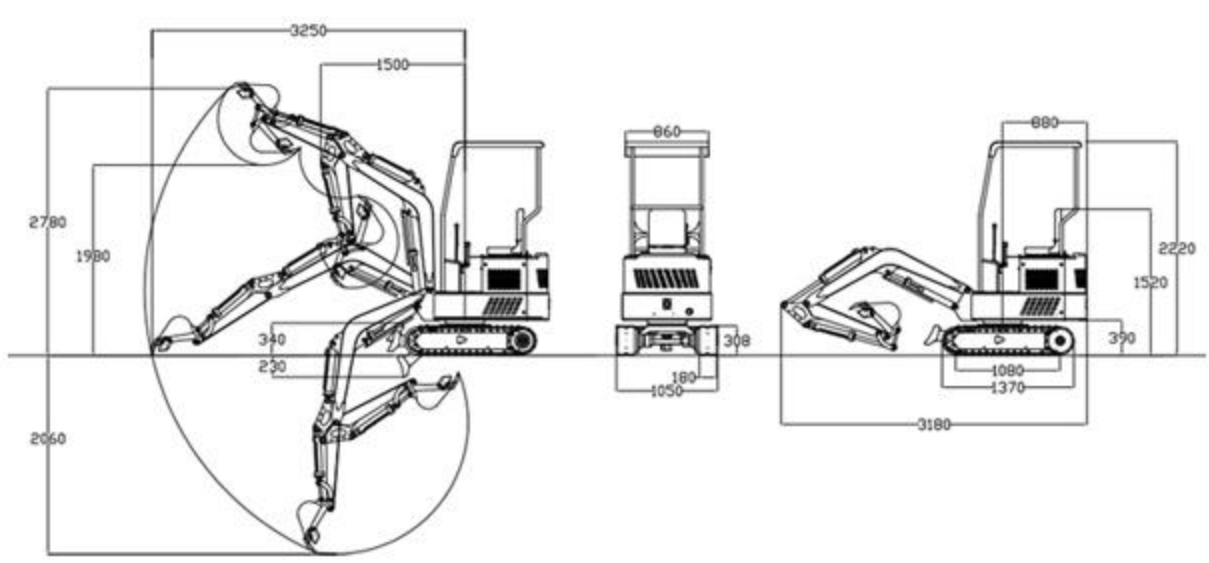
Product parameters

Total Weight	1800kg
Total length	3635mm
Total width	1100mm
Total height	2700mm
Maximum digging radius	3470mm
Maximum excavation depth	2150mm
Maximum excavation height	3275mm

Maximum unloading height	2310mm
Minimum ground clearance	437mm
Engine brand	Kubota
Engine model	D902
Output Power	11.8kw
Walking speed	0-4.5km/h
Climbing angle	30%



R328 MINI EXCAVATOR



①



Engines:
Kubota, Yanmar and Changchai are available for assembly

②



Plated pin shaft
Butter nozzle has central lubrication function

③



Hydraulic cylinder
One-piece forging, not easy to break

④



Fuel tank
Large capacity fuel tank, long operation time



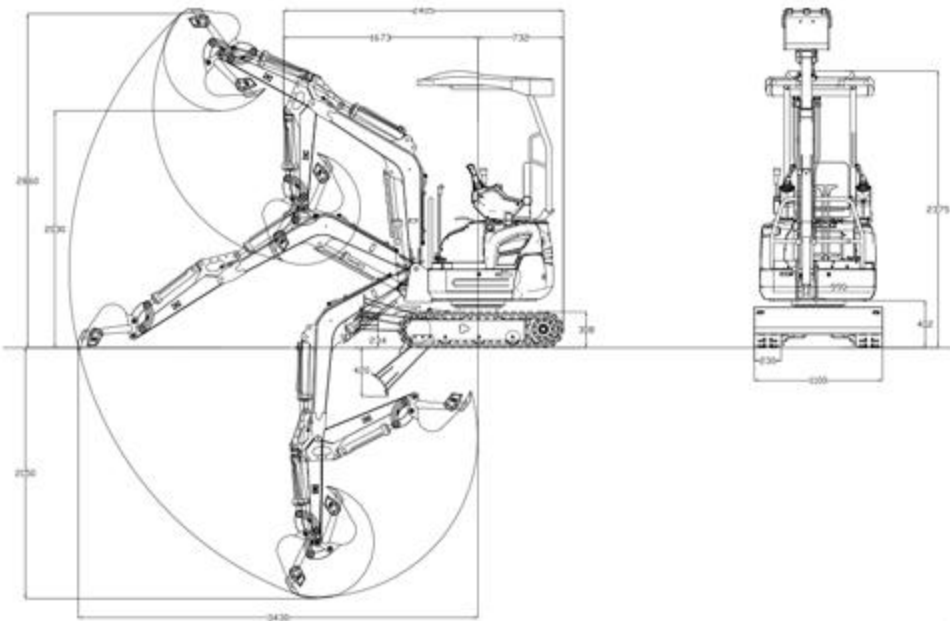
Product parameters

Total Weight	1800kg
Total length	3635mm
Total width	1100mm
Total height	2700mm
Maximum digging radius	3470mm
Maximum excavation depth	2150mm
Maximum excavation height	3275mm

Maximum unloading height	2170mm
Minimum ground clearance	387mm
Engine brand	Changchai
Engine model	ZN390Q
Output Power	20kw
Walking speed	0-4.5km/h
Climbing angle	30%



L330 MINI EXCAVATOR



①



Kubota Changchai
Engines:
 Kubota ,Yanmar and Changchai
 are available for assembly

②



Body protection design
 The boom cylinder is located
 on the back of the boom.

③



**The oil pipe is inside
 the boom**
 Neat and beautiful, not easy to wear

④



Safe cab
 With a ROPS & FOPS
 certification system



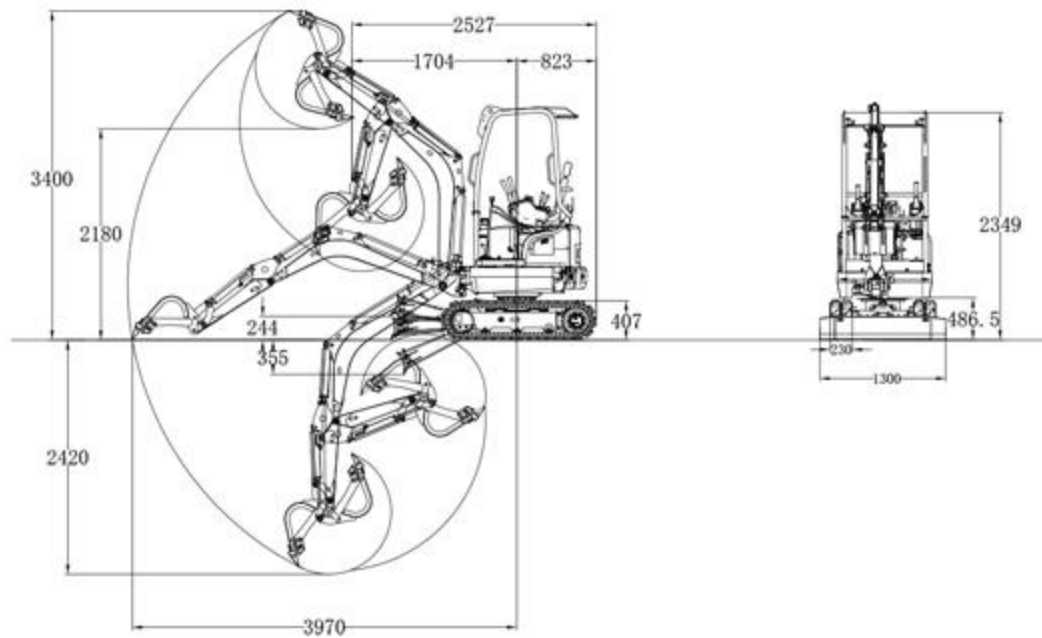
Product parameters

Total Weight	2000kg
Total length	4050mm
Total width	1300mm
Total height	2300mm
Maximum digging radius	4023mm
Maximum excavation depth	2250mm
Maximum excavation height	2951mm

Maximum unloading height	2250mm
Minimum ground clearance	415mm
Engine brand	Kubota
Engine model	D902
Output Power	11.8kw
Walking speed	0-1.8km/h
Climbing angle	30%



L335W MINI EXCAVATOR



- ◆ Import accessories to improve the overall performance of the machine;
- ◆ Oil cylinder once forging molding, not easy to break, built-in NOK sealing ring;
- ◆ The Use of high-quality thickened steel, the use of plastic injection process treatment, rust prevention and corrosion resistance;
- ◆ Adopt the international famous brand reducer, stable operation, high reliability;
- ◆ The 360-degree body rotates freely, and the flexible body brings convenience for outdoor work.

①



Engines:

Using Kubota engine, low noise, low vibration of environmental protection design

②



Electronic display screen

Clear data display, easy to work

③



Large arm swing

Wide working range, simple to operate

④



Bulldozer board

Lengthened, very thick and strong

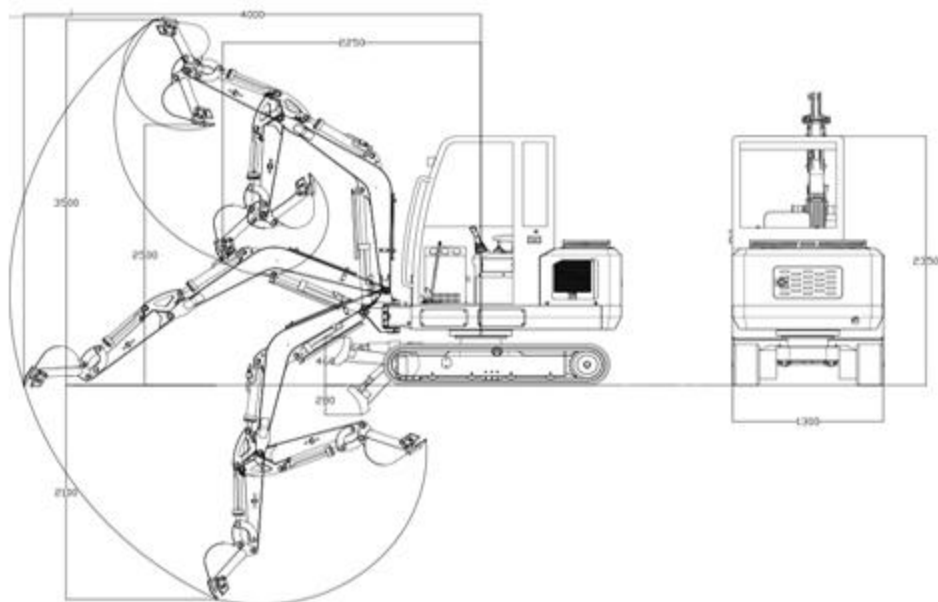
Product parameters

Total Weight	2200kg
Total length	3585mm
Total width	1300mm
Total height	2360mm
Maximum digging radius	4050mm
Maximum excavation depth	2490mm
Maximum excavation height	3580mm

Maximum unloading height	2440mm
Minimum ground clearance	450mm
Engine brand	Kubota
Engine model	D902
Output Power	11.8kw
Walking speed	0-4.5km/h
Climbing angle	30%



R340 MINI EXCAVATOR



①



Engines:

Using Kubota engine, low noise, low vibration of environmental protection design

②



Add air conditioning

More comfortable working environment

③



Stop valve

Can be equipped with auxiliary tools, to prevent oil leakage

④



Rotate support

Using internal teeth, dense and not easy to wear



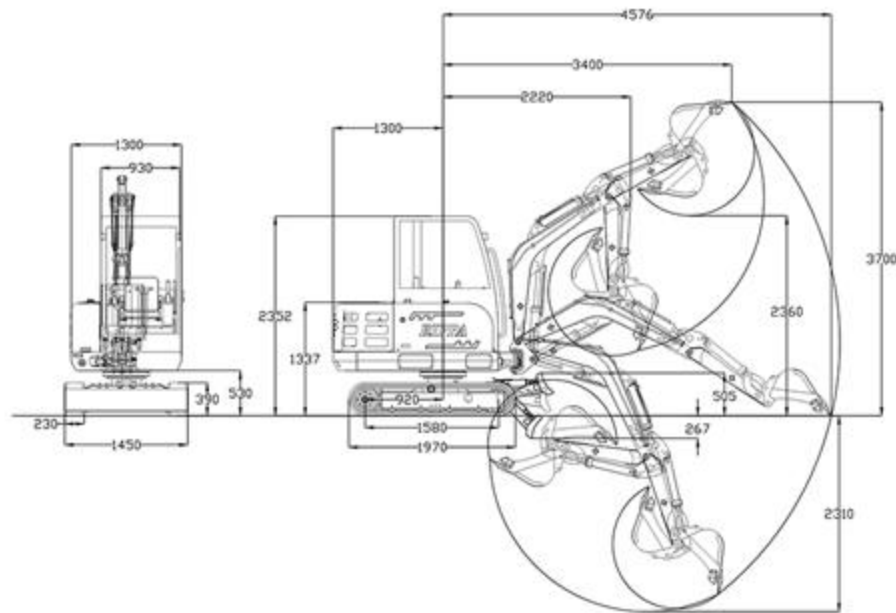
Product parameters

Total Weight	2500kg
Total length	4050mm
Total width	1300mm
Total height	2450mm
Maximum digging radius	3500mm
Maximum excavation depth	2500mm
Maximum excavation height	3500mm

Maximum unloading height	2500mm
Minimum ground clearance	560mm
Engine brand	Changchai/Yanmar/Kubota
Engine model	390Q/3TNV88/V1505
Output Power	20kw/19.6kw/18.2kw
Walking speed	0-2.0km/h
Climbing angle	30%



R350 MINI EXCAVATOR



- ◆ All imported parts, the whole machine performance is more stable;
- ◆ Walking full hydraulic pilot control, feet control sensitive;
- ◆ Using load sensitive variable plunger piston pump, smooth control, flexible action;
- ◆ Increase the driving space, get on and off the bus without obstruction;
- ◆ Disc flow cyclowire motor, shuttle valve with hydraulic brake pads, secondary planetary gear reducer.

①



Engines:

Using Kubota engine, low noise, low vibration of environmental protection design

②



Operation table

A new upgrade of operation convenience

③



Stop valve

Can be equipped with auxiliary tools, to prevent oil leakage

④



Thickens the chassis

The load-bearing capacity is stronger

Product parameters

Total Weight	3000kg
Total length	4480mm
Total width	1450mm
Total height	2450mm
Maximum digging radius	4500mm
Maximum excavation depth	2500mm
Maximum excavation height	3720mm

Maximum unloading height	2900mm
Minimum ground clearance	548mm
Engine brand	Changchai/Yanmar/Kubota
Engine model	ZN390Q/3TNV88/V1505
Output Power	20kw/19.6kw/18.2kw
Walking speed	0-3.9km/h
Climbing angle	30%



R355 MINI EXCAVATOR

- ◆ Standard construction machinery special, pure import assembly, motor and reducer integrated;
- ◆ Hand-controlled pilot valve, Korean pure imported accessories valve rod working proportion curve and hydraulic valve match;
- ◆ Using the load-sensitive variable plunger pump, low fuel consumption, superior performance;
- ◆ Engineering special oil cylinder, sealing ring for the American Pike, with a buffer device;
- ◆ 16MN steel plate was used and each shaft sleeve was subjected by quenching.



①



Engines:

Yanmar and Changchai are available for assembly

②



Central rotary motor

Strong power, smooth rotation

③



Electronic monitor

Brand new upgrade, monitoring machine data

④



Security lock

Start to open the security lock for work

Product parameters

Total Weight	4000kg
Total length	4400mm
Total width	1700mm
Total height	2200mm
Maximum digging radius	4300mm
Maximum excavation depth	2545mm
Maximum excavation height	4450mm

Maximum unloading height	3050mm
Minimum ground clearance	600mm
Engine brand	Changchai/Yanmar
Engine model	490/3TNV88
Output Power	26kw/19.6kw
Walking speed	0-4.5km/h
Climbing angle	30%



R360 MINI EXCAVATOR

- ◆ Adopt the advanced constant power variable plunger pump;
- ◆ Using wet multi-disc brake pads, and with buffer control, smooth operation braking;
- ◆ Using Korean pure imported parts, the working proportion curve of the valve stem matches the hydraulic valve;
- ◆ Engineering special oil cylinder, sealing ring for the American Pike, with a buffer device;
- ◆ 16MN steel plate was used and each shaft sleeve was subjected by quenching.



①



Engines:

Using Yanmar engine, low noise, low vibration of environmental protection design

②



Central rotary motor

Strong power, smooth rotation

③



Radiator

Excellent material, uniform heat dissipation

④



Tubing

Using steel sleeve protection, not easy to wear

Product parameters

Total Weight	6200kg
Total length	5850mm
Total width	1880mm
Total height	3250mm
Maximum digging radius	6200mm
Maximum excavation depth	3900mm
Maximum excavation height	5800mm

Maximum unloading height	4030mm
Minimum ground clearance	720mm
Engine brand	Yanmar
Engine model	4TNV94L
Output Power	37.4kw
Walking speed	2.4-3.8km/h
Climbing angle	30%



Rotary drill



Quick change



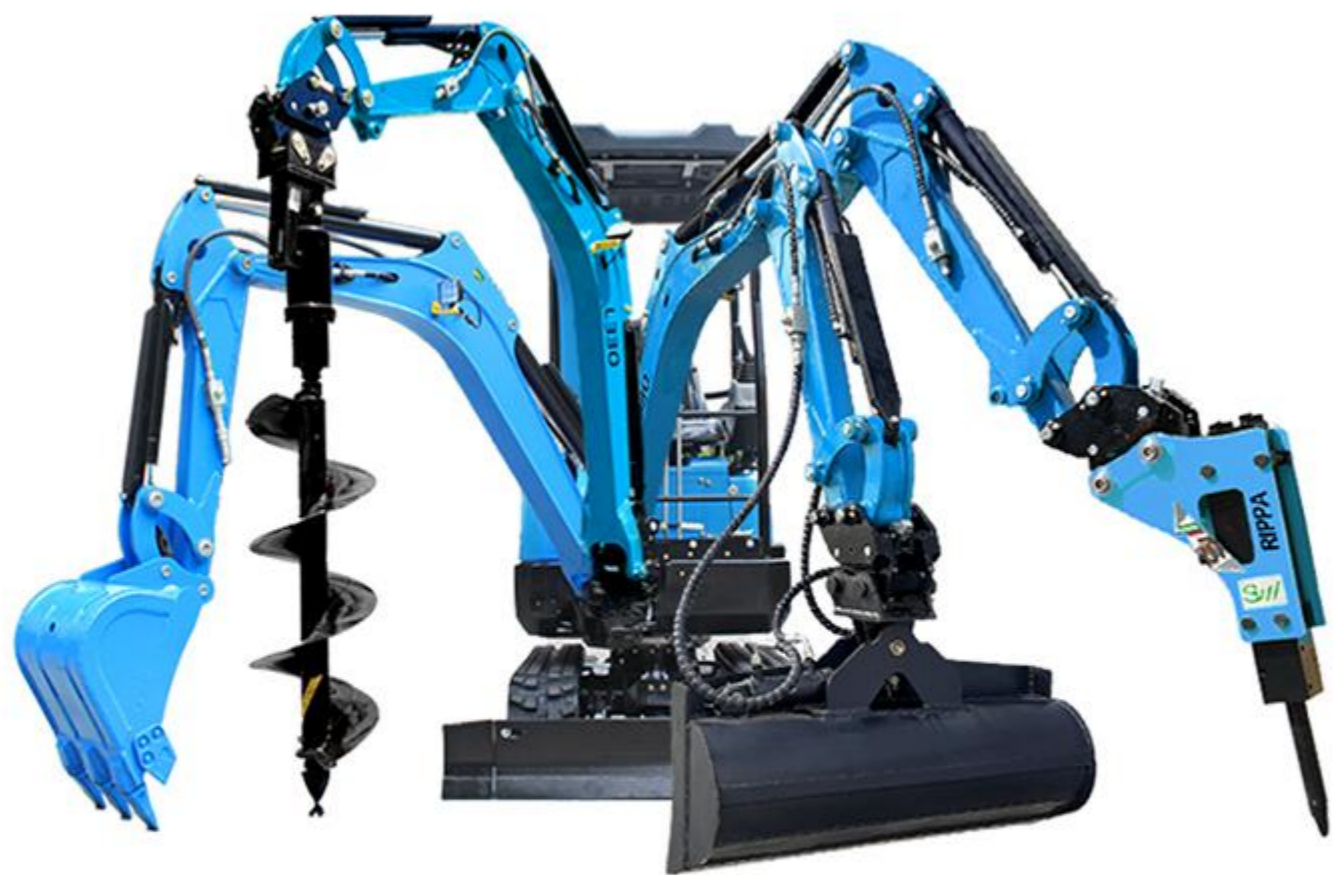
Rake 1



Bucket 1



Bucket 2



Tilting bucket



Hammer



Wood grabber



Thumb nail



Mud bucket



Ripper

LARGE EXCAVATOR

BUY NOW



**R390
SMALL
EXCAVATOR**



**NDI 150-9L
LARGE
EXCAVATOR**



**NDI 230-9L
LARGE
EXCAVATOR**



**NDI 320-9L
LARGE
EXCAVATOR**



**NDI 380-9L
LARGE
EXCAVATOR**



**NDI 420-9L
LARGE
EXCAVATOR**



**NDI 520-9L
LARGE
EXCAVATOR**

R390 Small excavator



- ◆ The whole machine electrical system adopts centralized control, with high reliability;
- ◆ Intelligent monitoring system is equipped with real-time monitoring and automatic alarm function;
- ◆ Cab optimization design, equipped with ergonomic seats, full coverage of the interior, wide vision;
- ◆ Engineering special oil cylinder, sealing ring for the American Pike, with a buffer device;
- ◆ Five-door steel cover, strong and durable;
- ◆ Using Korean pure imported parts, the working proportion curve of the valve stem matches the hydraulic valve;

Product parameters

Total Weight	9000kg
Total length	6146mm
Total width	2242mm
Total height	2662mm
Maximum digging radius	6563mm
Maximum excavation depth	4660mm
Maximum excavation height	6680mm
Maximum unloading height	5100mm
Minimum ground clearance	790mm
engine brand	Yanmar
engine model	4TNV98L
Output Power	42.2kw
Walking speed	0-6.5km/h
Climbing angle	30%



1 Engine
using Kubota engine, low noise,
low vibration of environmental
protection design



2 Operation table
a new upgrade operation button,
work more efficient



3 Cylinder
Engineering specific, sealing ring
for American Pike, with buffer device



4 Bullboard
using a casting process to connect
the central support, strong and durable



5 Steel crawler
a wide range of working
conditions, long service life

NDI 150-9L

Large excavator



Assembly covers all the advantages of similar products, and the performance of core components is strengthened again on the original basis to create higher value for customers.

Product parameters

Body size

Total length of transport (mm)	7702
Overall width of transport (mm)	2602
Overall height of transport (mm)	2982
Machine working weight (kg)	14500
Bucket capacity (m ³)	0.27-0.76
Boom length (mm)	4620
Track length (mm)	3497
Track full width (mm)	2600
Track shoe width (mm)	602
Back end turning radius (mm)	2202
Minimum ground clearance (mm)	408

Performance

Swing speed (rpm)	11.9
Walking speed (km/h)	3.3-4.9
Bucket Digging Force (KN)	77.3/81.4
Stick excavator (KN)	57.7/63

Engine

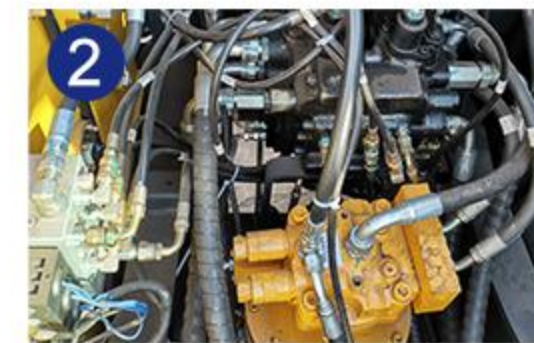
Engine model	Isuzu/Cummins
Rated power (kw/rpm)	75/1900
Cooling method	water cooling

Scope of work

Maximum excavation range (mm)	8742
The largest excavation range on the ground (mm)	8602
Maximum excavation depth (mm)	6132
Maximum excavator height (mm)	8952
Maximum discharge height (mm)	6532
Maximum vertical depth that can be excavated (mm)	4652



You can choose to be equipped with Doosan or Cummins engines, with strong and stable output power, which has been proven in the market.



The central rotary motor adopts well-known foreign brands, with stable performance and durability.



The link of the big and small arms is strengthened, the plate is thickened, the production process is improved, and the welding type is changed to an integrated casting type.



The new seat adjustment mode, such as the car seat can be adjusted, the operation is more convenient



Hydraulic oil pump and other multiple oil filter systems enhance the fuel filter performance and greatly improve the fuel utilization rate.



NDI 230-9L Large excavator



Performance and fuel consumption are in an ideal balance, adapt to various working conditions, undertake more projects for customers, and achieve greater value.



Product parameters

Body size

Total length of transport (mm)	9510
Overall width of transport (mm)	2900
Overall height of transport (mm)	3030
Machine working weight (kg)	21500
Bucket capacity (m ³)	0.5-1.28
Boom length (mm)	5700
Track length (mm)	4440
Track full width (mm)	2990
Track shoe width (mm)	600
Back end turning radius (mm)	2750
Minimum ground clearance (mm)	480

Performance

Swing speed (rpm)	12.4
Walking speed (km/h)	3.1-4.5
Bucket Digging Force (KN)	136.2
Stick excavator (KN)	97

Engine

Engine model	Cummins
Rated power (kw/rpm)	110/1950
Cooling method	water cooling

Scope of work

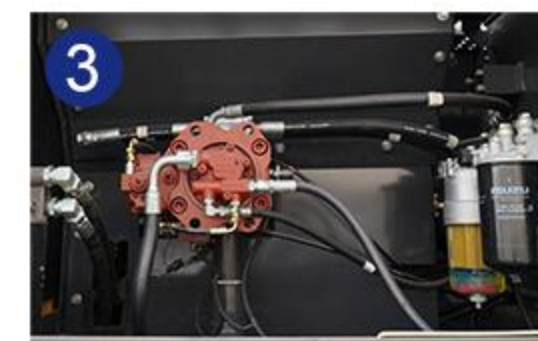
Maximum excavation range (mm)	9910
The largest excavation range on the ground (mm)	9735
Maximum excavation depth (mm)	6445
Maximum excavator height (mm)	6045
Maximum discharge height (mm)	6810
Maximum vertical depth that can be excavated (mm)	6045



You can choose to be equipped with Doosan or Cummins engines, with strong and stable output power, which has been proven in the market.



The central rotary motor adopts well-known foreign brands, with stable performance and durability.



Hydraulic oil pump and other multiple oil filter systems enhance the fuel filter performance and greatly improve the fuel utilization rate.



Diversified information about equipment operation and increased customer convenience through high-tech color LCD display system



The crawler of the strengthened structure increases the stability of the lower body and greatly improves the structural strength of the chassis.

NDI 320-9L

Large excavator



It is designed for mines and large-scale earthwork customers. It has the characteristics of large operating range and lower fuel consumption. While high operating efficiency, it can reduce fuel consumption and increase revenue for customers.

Product parameters

Body size

Total length of transport (mm)	10620
Overall width of transport (mm)	3200
Overall height of transport (mm)	3365
Machine working weight (kg)	29600
Bucket capacity (m ³)	0.63-1.75
Boom length (mm)	6245
Track length (mm)	4930
Track full width (mm)	3200
Track shoe width (mm)	600
Back end turning radius (mm)	3200
Minimum ground clearance (mm)	500

Performance

Swing speed (rpm)	10.1
Walking speed (km/h)	3.0-5.0
Bucket Digging Force (KN)	188/199.9
Stick excavator (KN)	155.8/164.6

Engine

Engine model	Cummins
Rated power (kw/rpm)	147/1900
Cooling method	water cooling

Scope of work

Maximum excavation range (mm)	10155
The largest excavation range on the ground (mm)	9950
Maximum excavation depth (mm)	6275
Maximum excavator height (mm)	9985
Maximum discharge height (mm)	6960
Maximum vertical depth that can be excavated (mm)	6505



You can choose to be equipped with Doosan or Cummins engines, with strong and stable output power, which has been proven in the market.



The central rotary motor adopts well-known foreign brands, with stable performance and durability.



Hydraulic oil pump and other multiple oil filter systems enhance the fuel filter performance and greatly improve the fuel utilization rate.



Optimize the cooling system, greatly improve the cooling effect of the air, and improve the fuel efficiency.



High-definition white light camera provides a strong guarantee for the safety and convenience of work



NDI 380-9L

Large excavator



Powerful power output and Doosan's unique EPOS (Intelligent Control System) and SPC (Intelligent Power Control) technologies ensure efficient operation while reducing fuel consumption. Scania's electronically controlled direct-injection engine is equipped with multiple filters and dual oil-water separators. At the same time, the fuel injector is sprayed with special materials, which greatly improves the adaptability of inferior oil products.

NDI 420-9L

Large excavator



The stylish and atmospheric appearance is more conducive to leasing. It is equipped with a reliable low-emission and high-efficiency engine, which not only provides fuel economy, but also effectively ensures the operating performance of the equipment.

NDI 520-9L

Large excavator



The stylish and atmospheric appearance is more conducive to leasing. It is equipped with a reliable low-emission and high-efficiency engine, which not only provides fuel economy, but also effectively ensures the operating performance of the equipment.

Product parameters

Body size

Total length of transport (mm)	12132
Overall width of transport (mm)	3342
Overall height of transport (mm)	3700
Machine working weight (kg)	48000
Bucket capacity (m ³)	2.17
Boom length (mm)	7100
Track length (mm)	5460
Track full width (mm)	3350
Track shoe width (mm)	600
Back end turning radius (mm)	3750
Minimum ground clearance (mm)	772

Performance

Swing speed (rpm)	8.9
Walking speed (km/h)	3.0-5.6
Bucket Digging Force (KN)	286.2/303.8
Stick excavator (KN)	212.7/225.4

Engine

Engine model	Cummins
Rated power (kw/rpm)	238/1800
Cooling method	water cooling

Scope of work

Maximum excavation range (mm)	12110
The largest excavation range on the ground (mm)	11865
Maximum excavation depth (mm)	7800
Maximum excavator height (mm)	1105
Maximum discharge height (mm)	7900
Maximum vertical depth that can be excavated (mm)	4400



You can choose to be equipped with Doosan or Cummins engines, with strong and stable output power, which has been proven in the market.



The sophisticated swing motor significantly reduces swing sway and provides more powerful swing torque for efficient work performance.



Equipped with a new large-capacity, high-efficiency imported hydraulic pump, the work efficiency is greatly improved.



More reliable counterweight brackets and solid chassis ensure long-term stable operation of the equipment.



The lower plate of the boom is integrally formed with a whole steel plate. Compared with the multi-plate welded structure of other models, the strength and durability are greatly improved.

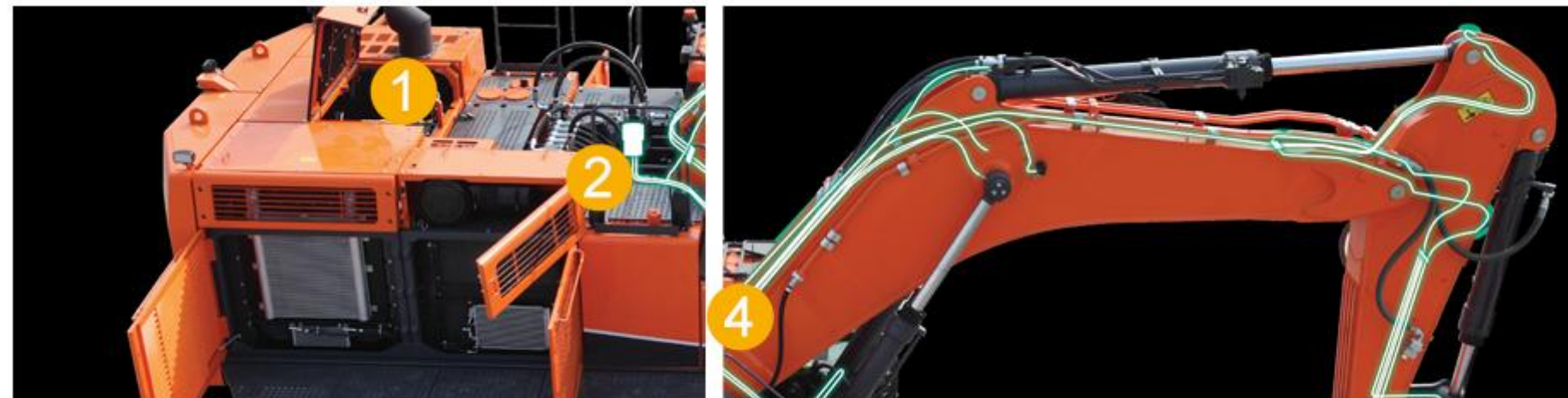


NDI 800-9L

Large excavator



Assembly covers all the advantages of similar products, and the performance of core components is strengthened again on the original basis to create higher value for customers.



Product parameters

Body size

Total length of transport (mm)	13165
Overall width of transport (mm)	3560
Overall height of transport (mm)	4865
Machine working weight (kg)	80000
Bucket capacity (m ³)	3.42
Boom length (mm)	8024
Track length (mm)	5960
Track full width (mm)	1413
Track shoe width (mm)	650
Back end turning radius (mm)	4010
Minimum ground clearance (mm)	850

Performance

Swing speed (rpm)	7.4
Walking speed (km/h)	4.8-2.9
Bucket Digging Force (Kg)	4964
Stick excavator (Kg)	2655

Engine

Engine model	Perkins 2506D
Rated power (kw/rpm)	354/1800
Cooling method	water cooling

Scope of work

Maximum excavation range (mm)	13195
The largest excavation range on the ground (mm)	12925
Maximum excavation depth (mm)	8345
Maximum excavator height (mm)	12120
Maximum discharge height (mm)	325
Maximum vertical depth that can be excavated (mm)	4705



All-new engine with enhanced power and reliability. Keep excavators running quickly and efficiently, even in the harshest construction sites.



Main pump
This new electronic master pump precisely calculates the pump flow required for each actuator for superior productivity



Rotary motor
Cross-roller slewing bearings can withstand greater stress and greatly extend service life.



Control valve
One-button control of work modes provides optimized levels for more comfortable operation and further increased productivity.



Central fuel filter system
Oil-water separator with fuel pre-filter and main filter to improve engine life

NDI 1250-9L

Large excavator



Assembly covers all the advantages of similar products, and the performance of core components is strengthened again on the original basis to create higher value for customers.



Product parameters

Body size

Total length of transport (mm)	16020
Overall width of transport (mm)	4965
Overall height of transport (mm)	6040
Machine working weight (kg)	106500
Bucket capacity (m ³)	3.4-8.3
Boom length (mm)	8024
Track length (mm)	5960
Track full width (mm)	1413
Track shoe width (mm)	650
Back end turning radius (mm)	4010
Minimum ground clearance (mm)	850

Performance

Swing speed (rpm)	1800
Walking speed (km/h)	3.2-2.1
Bucket Digging Force (Kgf)	48800
Stick excavator (Kgf)	42000

Engine

Engine model	Perkins
Rated power (kw/rpm)	354/1800
Cooling method	water cooling

Scope of work

Maximum excavation range (mm)	15000
The largest excavation range on the ground (mm)	15350
Maximum excavation depth (mm)	9350
Maximum excavator height (mm)	13400
Maximum discharge height (mm)	8680
Maximum vertical depth that can be excavated (mm)	7610



All-new engine with enhanced power and reliability. Keep excavators running quickly and efficiently, even in the harshest construction sites.



Main pump
This new electronic master pump precisely calculates the pump flow required for each actuator for superior productivity



Rotary motor
Cross-roller slewing bearings can withstand greater stress and greatly extend service life.



Control valve
One-button control of work modes provides optimized levels for more comfortable operation and further increased productivity.



Central fuel filter system
Oil-water separator with fuel pre-filter and main filter to improve engine life

Shattered/Removed engineering equipment

① **Hydraulic breaker:** Used in secondary crushing in mining areas, it completely replaces secondary blasting for bulk crushing, and can also be used for mining, crushing and demolition operations in metallurgy, mining, railway, highway, construction and other fields.



Side type hydraulic breaker



Box type hydraulic breaker



Top type hydraulic breaker



② Hydraulic pulverizer



③ Multi crusher / Multi shear



④ Single cylinder shear



⑤ Double cylinder shear



⑥ Hydraulic power shear

Recycling resource processing equipment



① Hydraulic shear (Car dismantling)



② Excavator clamp arm



③ Sorting grab



④ Excavator magnet lift



⑤ Hydraulic steel / rock / log grab

Recycling resource processing equipment



① Mechanical grapple



② Orange peel grapple



③ Clamp bucket grapple



④ Hydraulic steel / rock grab B



⑤ Clamshell bucket

Compaction piling and auxiliary equipment



① Ripper



② Excavator rake



③ Hydraulic quick hitch



④ Hydraulic plate compactor



⑤ Pile hammer



MORE PRODUCTS

BUY NOW



**HYDRAULIC
DUMPER**



**R906
MINI
LOADER**



**SKID STEER
EXCAVATOR**



**ELECTRIC
FORKLIFT**



**AGRICULTURAL
SPRAYER**



**LAWN
MOWER**



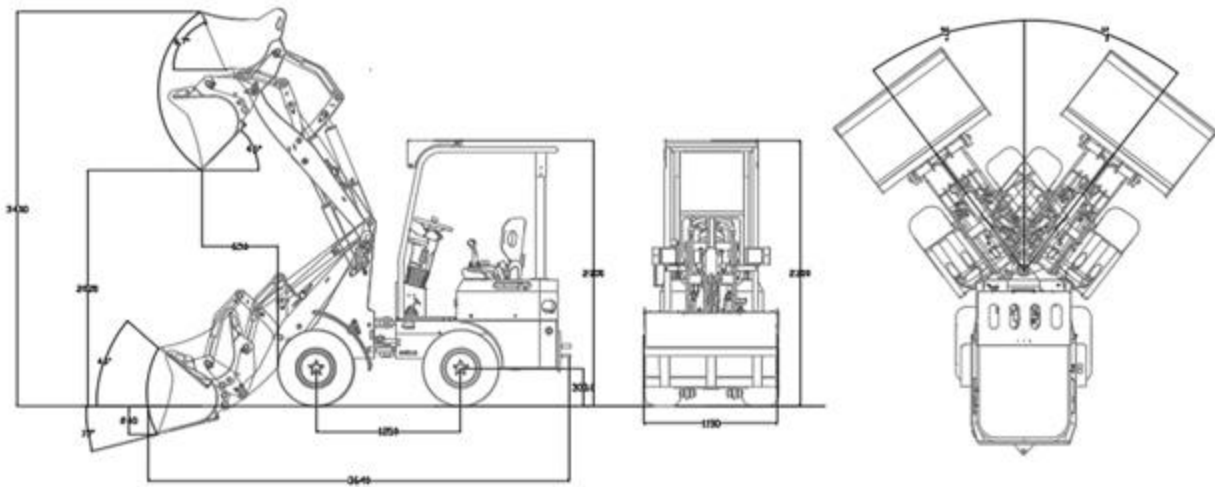
ROLLER



LADDER



R906 Mini Loader



- ◆ Brand-new small-size loader;
- ◆ Import accessories to improve the overall performance of the machine;
- ◆ Oil cylinder once forging molding, not easy to break, built-in NOK sealing ring;
- ◆ The Use of high-quality thickened steel, the use of plastic injection process treatment, rust prevention and corrosion resistance;
- ◆ Adopt the international famous brand engine, stable operation, high reliability;

①



Engine

Using Kubota engine, low noise, low vibration of environmental protection design

②



Steering wheel

Using the steering wheel operation, simple and easy to learn

③



Bucket

Increase the capacity of the bucket, efficient work

④



Radiator

Excellent material, uniform heat dissipation

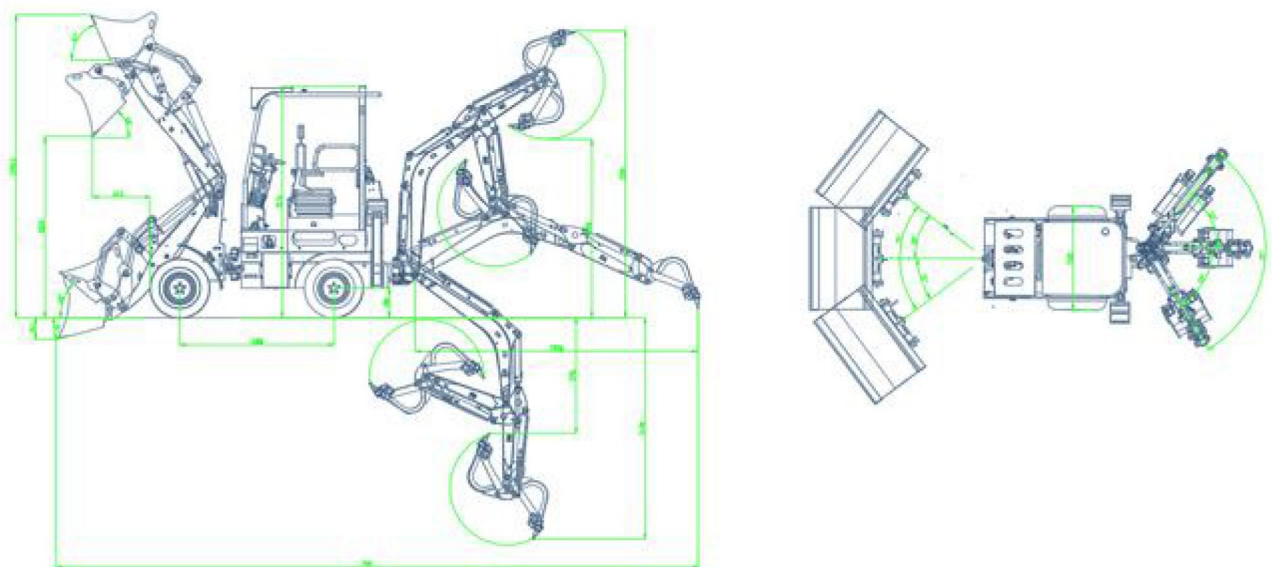
Product parameters

Total Weight	1700kg
Total length	3650mm
Total width	1150mm
Total height	2300mm
Rated bucket capacity	0.6m ³
Rated charge mass	600kg
Maximum discharge height	2050mm

Discharge distance	650mm
Minimum turning radius	2.4m
Engine brand	Kubota
Engine model	D1105
Output Power	18.2kw
Walking speed	0-12km/h
Climbing angle	25%



| Backhoe Loader



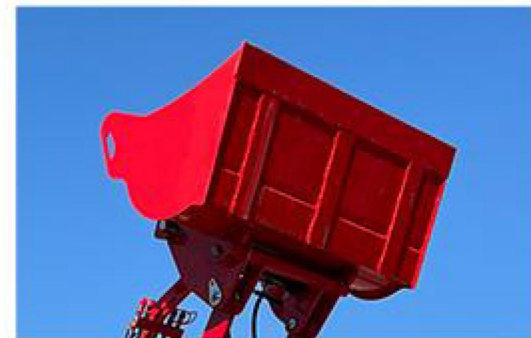
①



Swivel seat

Swivel seat for quick switching of operating parts;

②



Extra thick bucket

Strong lifting force, enlarged bucket, efficient work;

③



Steering wheel

Steering wheel control steering, convenient and flexible

④



Pilot operation

Pilot operation, flexible operation, easy to learn

- ◆ The excavator and loader functions can be switched freely, and the work efficiency is high;
- ◆ Using Kubota engine, strong power and stable performance;
- ◆ Hydraulic steering, with good sealing, extended motor life and fast moving speed;
- ◆ The wingspan bracket can fix the body on both sides during operation, making the operation more stable;
- ◆ Free switching of excavation and loading, saving time and effort, and improving work efficiency.

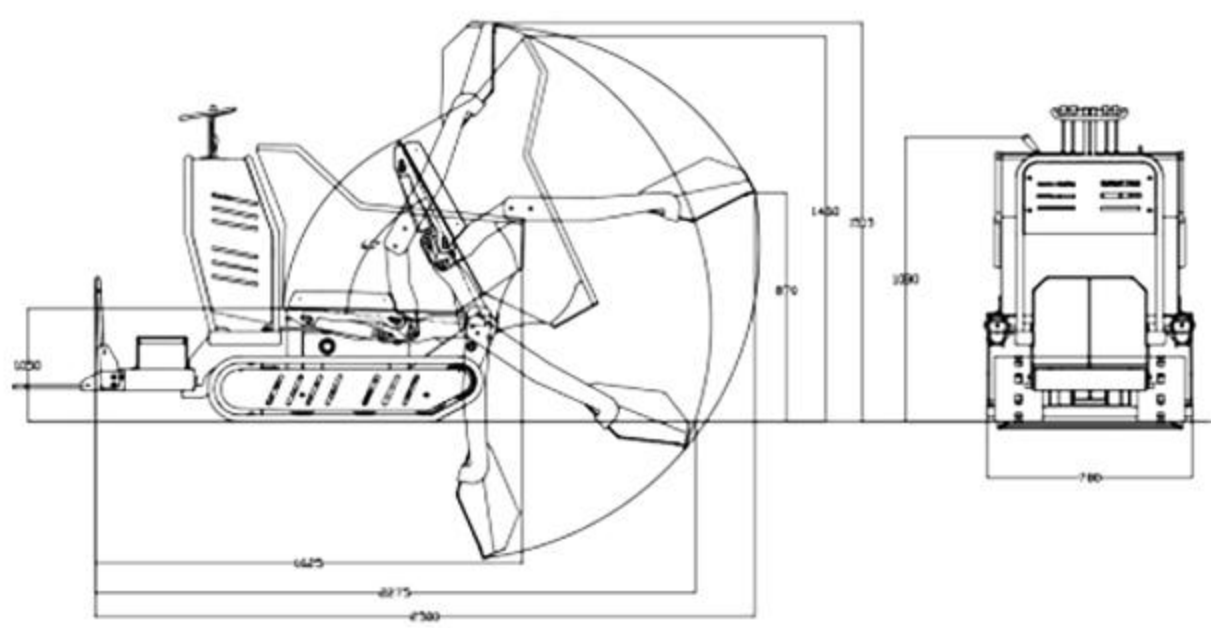
| Product parameters

Mass of the whole machine (kg)	1900
Dimensions (mm) unfolded state	7101*2574*2350
Dimensions (mm) Folded state	4500*1630*2350
Bucket width (mm)	1150
Wheelbase (mm)	1250
Wheel base (mm)	1608
Minimum ground clearance (mm)	155

Maximum travel speed (km/h)	0-12
Gradeability(%)	25
Minimum turning radius (m)	2.4
Engine model	Kubota
Cooling method	Water cooling
Tire specifications	26x12.00-12
Hydraulic tank (L)	2



HYDRAULIC DUMPER



- ◆ New model of hydraulic dump crawler car;
- ◆ Small and flexible, easy for small terrain, narrow space operation;
- ◆ Structural parts use stainless steel or plastic injection treatment, to extend the service life;
- ◆ Engineering rubber tracks, V-shaped design, smooth walking;
- ◆ Humanized design operation armrest platform, foot pedal, easy to work.

①



Engine

Using Briggs & Stratton engine, low noise, low vibration environmental protection design

②



Operating lever

Sturdy hand-held device for more convenient operation

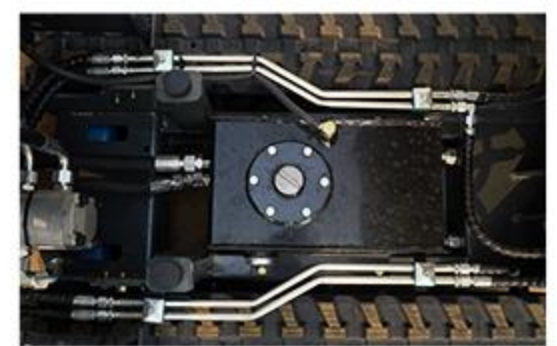
③



Butter nozzle

Store butter as a central lubricant

④



Pipeline distribution

Reasonable distribution of oil pipes for efficient operation

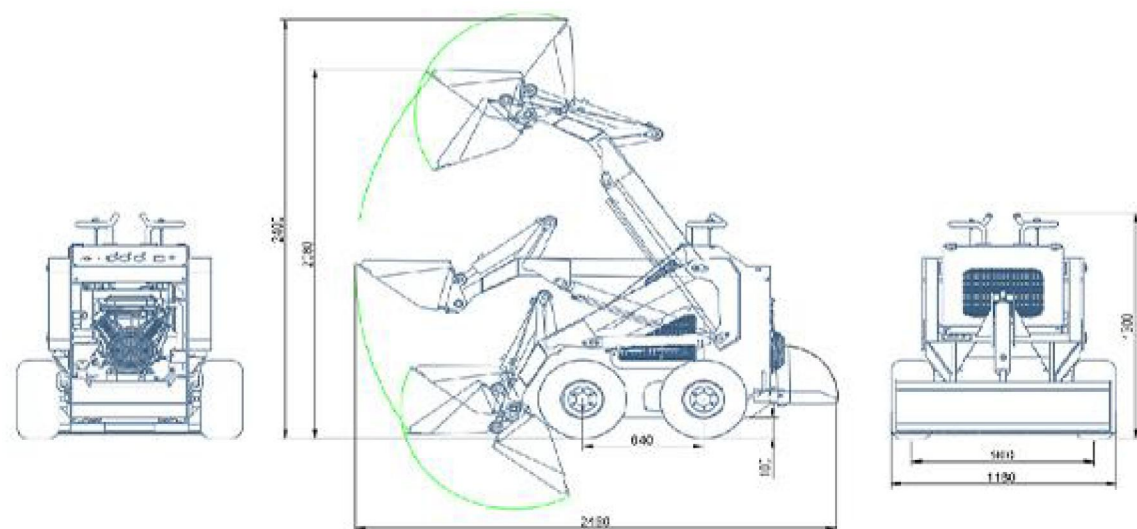
Product parameters

Total weight	500kg
Total length	1600mm
Total width	775mm
Total height	1050mm
Bulldozer bucket width	700mm
Body capacity	0.4m ³
Hydraulic tank volume	3L

Engine	Briggs & Stratton
Maximum power	10kw
Cooling method	Air cooling
Walking speed	4-8km/h
Horsepower	13.5hp
System rated working pressure	16MPa
Climbing angle	20°



Skid Steer Loader



①



Hydraulic cylinder inverted
During use, prevent sediment from clogging the oil pipe, avoid scratches, and improve the service life

②



Flip front cover
Convenient inspection and maintenance, hollow-out design, excellent heat dissipation effect

③



Walking motor maintenance board
Detachable maintenance board for easy maintenance

④



Foot pedal
Air support, more labor-saving folding, with non-slip stickers to improve the safety of the driver's operation

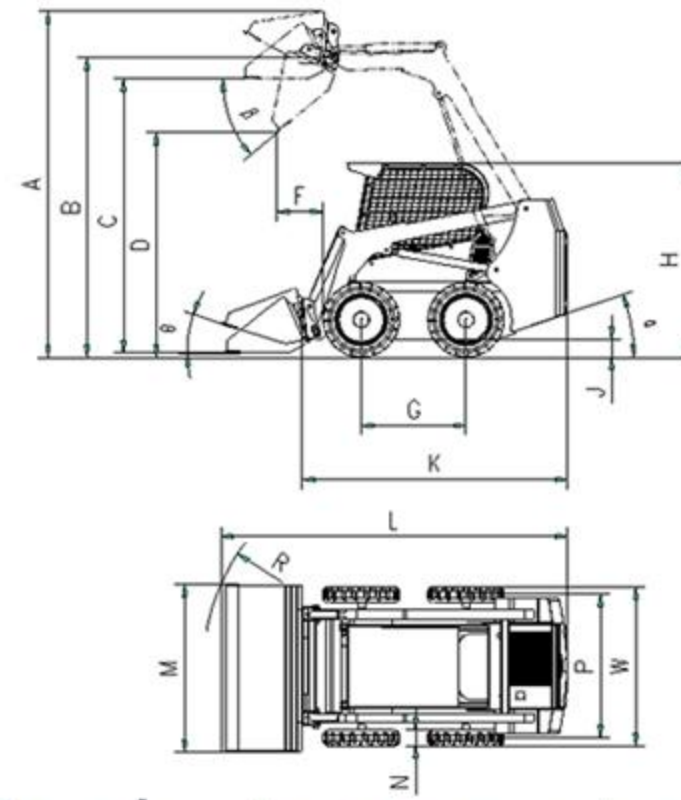
- ◆ The whole machine is small in size and strong in maneuverability;
- ◆ In-situ steering can be achieved, making it easier to shuttle around crowded construction sites and construction sites;
- ◆ Enlarged and thickened bucket, not easy to corrode and rust, can quickly replace auxiliary tools, widely used and easy to operate;
- ◆ Big factory brand engine, strong power, stable operation, time-saving and labor-saving;
- ◆ The skid steer loader can be lifted to a high place with a crane, such as when building a building.

Product parameters

Vehicle mass (kg)	800
Dimensions (mm) (L*W*H)	2230*1160*1300
Bucket width (mm)	1150
Wheelbase (mm)	640
Wheel base (mm)	900
Ground clearance (mm)	100
Gradeability(%)	25

Maximum loading height (mm)	2080
Maximum unloading height (mm)	1950
Maximum height (mm)	2400
Minimum height (mm)	1270
Bucket capacity (m3)	0.15
Bucket loading mass (kg)	300
Rated pressure (MPa)	18MPa

Skid Steer Loader



Product parameters

Max working height (A)	3490mm
Max pin height (B)	3028mm
Max height on bucket level state(C)	2814mm
Max dumping height (D)	2266mm
Max Dumping distance (F)	437mm
Wheel base (G)	1044mm
Total height (H)	1979mm
Ground clearance (J)	196mm
Overall length without bucket (K)	2621mm
Total length (L)	3400mm
Skip width (M)	1720mm
Total width (W)	1665mm
Tread width to center line (P)	1425mm
Tire' s thickness N)	240mm
Departure angle (α)	19°
Bucket dump angle(β)	41°
Retracting angle (θ)	18°
Turn radius (R)	2056mm

- Advanced Structure
- Automatic Bucket Leveling
- High Efficiency
- Excellent Operation experience
- Easily Maintenance
- Various Attachments



Short Auger



Pallet Fork



Breaker



Wood Grapple



Trencher



Concrete Mixer



Fork Hold



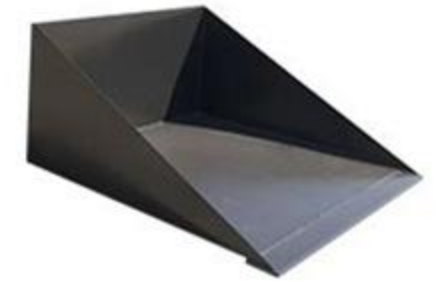
Excavator



Electric Forklift



Name	1.5T
Lift height	3M
Fork size	1.07m
Fork material	forging
Battery model	Tianneng Hydropower 5 pieces of 12V
Operating Voltage	DC 60V
Charging point voltage	220V
Brake	hydraulic brake
Front wheel model	Solid 650-10
Rear wheel model	Solid 500-8
Travel motor	4KW DC
Pumping station motor	Brushless DC 2000W
Machine weight	2.2T
Speed	20KW/H
Door frame material	C-shaped steel
Turn	hydraulic steering
Dimensions	2.3*1.2*2.2



Flat bucket



Grapple



Loading bucket



Cylinder clamp



Tip down



Flat holding clamp

Improve the efficiency of material operation, reduce the labor intensity of personnel, and improve labor conditions; it is widely used in factories and mines, warehouses, stations, ports, airports, freight yards, circulation centers and distribution centers, etc.



Agricultural Sprayer



① Night cruise light
Cruise lights under each blade
Easy to observe and manipulate

② High pressure nozzle
Stronger penetration and more thorough spraying

③ Carbon fiber bracket
Good toughness and light weight
Solid, high tensile strength

④ Large-capacity medicine barrel
Outlet sinking treatment,
To prevent the residual dose,
the water cover should increase
the diameter

⑤ V-shaped tripod
V-shaped tripod design
More stable against wind

⑥ Chemical liquid reactor
Support breakpoint continuous
spraying, Automatic return when
the dose is insufficient

⑦ Large flow medicine pump
The pressure is stronger
Atomization is more delicate

⑧ Large water cover
Increase the diameter of the water cover
Efficiency upgrade

⑨ Sunken battery
fast charging; loop easier

⑩ Brushless motor
Special for plant protection machine,
waterproof and dustproof;
Anti-acid and alkali, good heat dissipation

⑪ Carbon Fiber Folding Paddle
Convenient storage of energy consumption;
Helps extend flight time

⑫ Front HD camera
Looking ahead from a distance
Anticipate obstacles ahead

⑬ High brightness LED lighting
Equipped with dual high-brightness LED lighting
Convenient for night work

⑭ High-precision GPS
Multiple protection, precise positioning
Flying at full speed with full load will never drop high

Lawn mower



Engineering rubber track
Good climbing
performance and
durability



Chassis hydraulic lift
The chassis can be lifted
and lowered by remote
control, and the height
can be adjusted arbitrarily,
which effectively
improves work efficiency.



Spiral throwing knife
Mowing without pressure,
dense chain gaps prevent
weeds from splashing,
and high-strength
hardness blades for
longer life

Roller



Widely used in the compaction of asphalt surface, compaction of gravel, sand and other basic projects, compaction of lawns, playgrounds and limited space, vertical vibration, exciting force, high compaction efficiency. It is the ideal equipment for municipal departments to carry out road, street construction.



LP-600C



Total weight	460kg
Static line load	50N/cm
Steel wheel size	Φ430*600mm
Minimum turning radius	700mm
Engine brand	Changchai
Output power	4.5kw
Walking speed	0-4km/h
Water tank capacity	17L
Fuel tank capacity	15L

LP-700A



Total weight	865kg
Static line load	55N/cm
Steel wheel size	Φ560*700mm Φ430*600mm
Minimum turning radius	1350mm
Engine brand	Changchai
Output power	4.8kw
Walking speed	0-6km/h
Water tank capacity	15L
Fuel tank capacity	15L

LP-900C



Total weight	1500kg
Static line load	55N/cm
Steel wheel size	Φ560*900mm Φ560*740mm
Minimum turning radius	1580mm
Engine brand	Changchai
Output power	10kw
Walking speed	0-8km/h
Water tank capacity	60L
Fuel tank capacity	19L

LP-2.0T



Total weight	2000kg
Static line load	77N/cm
Steel wheel size	Φ560*900mm
Minimum turning radius	2000mm
Engine brand	Changchai
Output power	21kw
Walking speed	0-8km/h
Water tank capacity	60L
Fuel tank capacity	19L

LP-3.0T



Total weight	3000kg
Static line load	147-185N/cm
Steel wheel size	1000mm
Minimum turning radius	2700mm
Engine brand	Changchai
Output power	21kw
Walking speed	2.2-6.0km/h
Water tank capacity	40L
Fuel tank capacity	36L

LP-3.5T



Total weight	3500kg
Static line load	90N/cm
Steel wheel size	1200mm
Minimum turning radius	3000mm
Engine brand	Changchai
Output power	21kw
Walking speed	1.97-7.15km/h
Water tank capacity	NO
Fuel tank capacity	45L

LP-4.0T



Total weight	4000kg
Static line load	140N/cm
Steel wheel size	Φ1000*1300mm
Minimum turning radius	4000mm
Engine brand	Changchai
Output power	36kw
Walking speed	12km/h
Water tank capacity	80L
Fuel tank capacity	50L

LP-6.0T



Total weight	6000kg
Static line load	160N/cm
Steel wheel size	Φ1150*1400mm
Minimum turning radius	5000mm
Engine brand	Changchai
Output power	36kw
Walking speed	12km/h
Water tank capacity	NO
Fuel tank capacity	50L



| Backhoe Loader

It is the ideal hoisting equipment widely used by construction companies, prefabricated parts factories, construction material market, engineering, gardening of municipal department, station, wharf and outdoor operation, also, it is the best choice for individual lessor.



digging the ditch



working with hammer



clearn the snow



load the sand/soil

ladder



- ◆ Made of imported aviation aluminum alloy material, the material is more sufficient, you can use it with confidence, and you can use it for a long time.
- ◆ Reinforced beams, thickened aluminum tubes. Light and stable at the same time, greatly improve the safety of climbing ladders
- ◆ Extended climbing head, non-slip beam Lengthened and non-slip design, more stable and reliable when using
- ◆ Thumb wide solder joint
The solder joint texture is smooth and beautiful, ensuring quality and more beautiful

